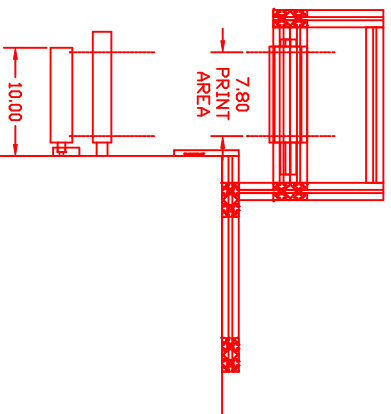
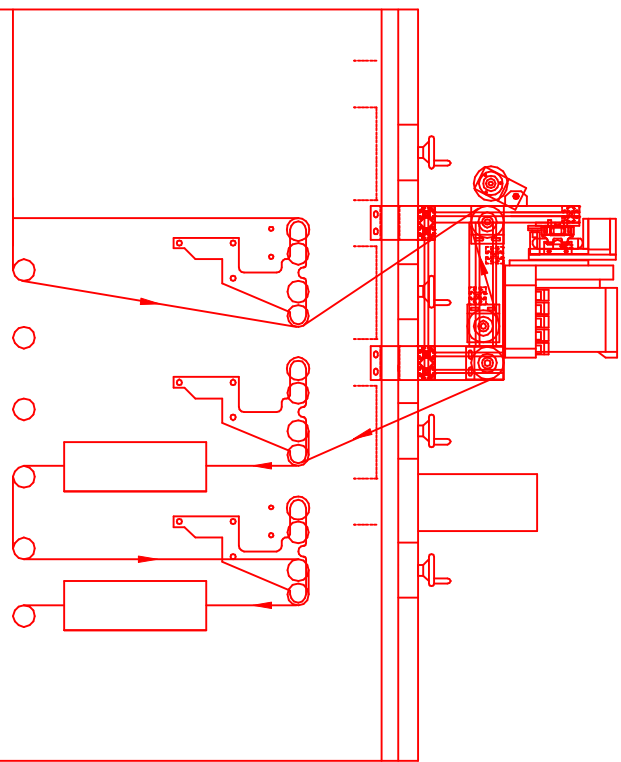



PO#

QTY



TOL: XXX - ±0.01
 XXXX - ±0.005

| | | | |
|---|----------------|--------|-----------|
|  DIGITAL PRINT, INC. 908 PERFORMANCE COURT, CRESSON TX 76635 | | | |
| CONCEPT, WEBTRON 750,A-LABEL | | | |
| DR. BY: J. PERLA | DATE: 09/30/08 | REV. A | SH 1 OF 1 |
| CK. BY: | N/A | | |
| DD NOT SCALE | 09003029.DWG | | |

THIS DRAWING AND ALL INFORMATION THEREON IS THE PROPERTY OF DIGITAL PRINT, INC. AND ALL UNAUTHORIZED USE AND REPRODUCTION IS PROHIBITED